

Triple Bottle Stopper (CDKW006)

IMPRINT AREA: 1-1/2" h x 2" w one side or 1-1/2" h x 5-3/4" w wrap

DIST NAME :

JOB # :

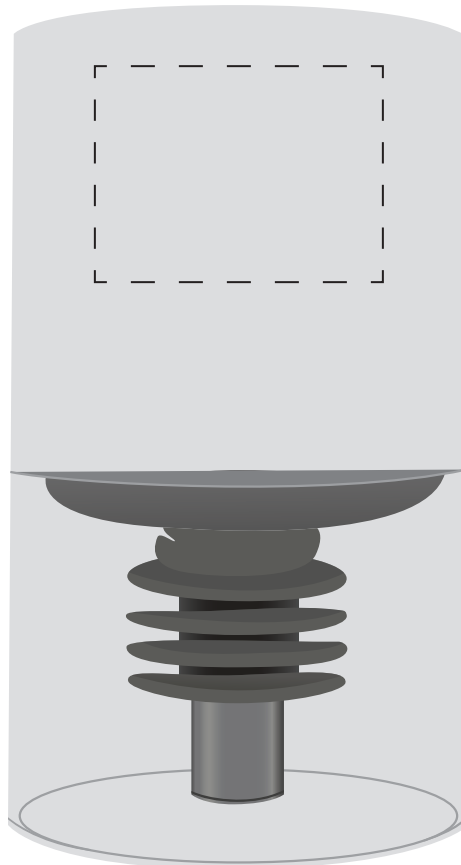
PO # :

PROOF APPROVED PROOF APPROVED WITH CHANGES NOTED PROOF NOT APPROVED

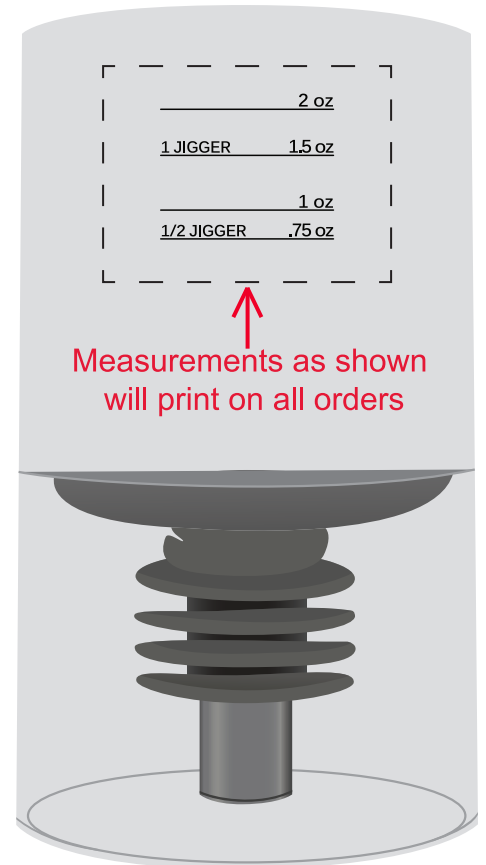
AUTHORIZED BY: _____

*SPECIAL INSTRUCTIONS: Clear with Black imprint

This order is on hold pending paper proof approval. Please return this proof ASAP to avoid delays * Please sign and check all appropriate boxes



Enlargement (100% of the actual size)



Measurements as shown
will print on all orders

Imprint shown @ 75%
Dotted line to show imprint area

Note from the factory

Please read this proof thoroughly and check for any spelling errors. We will not be responsible for any errors that are approved on the proof. This proof does not represent exact product or imprint colors. To see exact colors you will need to order a pre production proof. Please contact your Customer Service rep if you would like to order a PPP. Thank you for your order and we look forward to serving you again. To print this page at 100% do not use the fit to page option when printing, it will cause the page to print slightly scaled down