

Bar Bright Safety Light (BARBRTLTL)

IMPRINT AREA: 1/2"h x 3/4"w

DIST NAME :

JOB # :

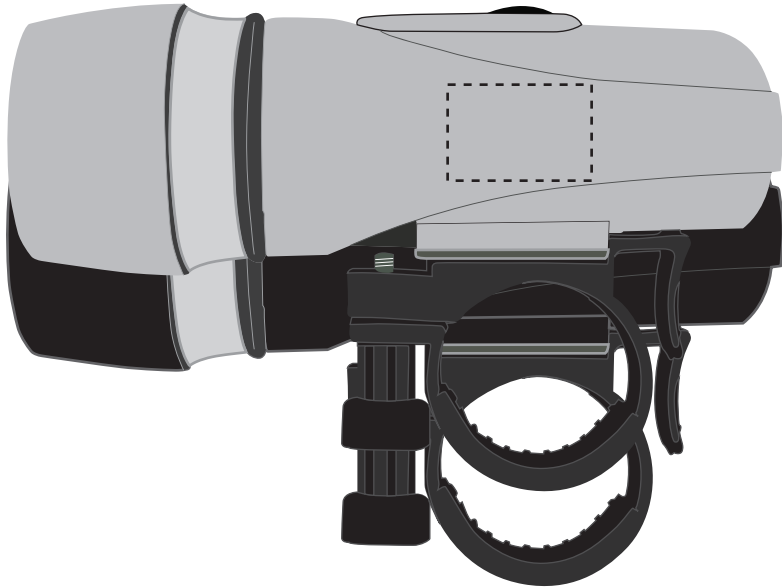
PO # :

PROOF APPROVED PROOF APPROVED WITH CHANGES NOTED PROOF NOT APPROVED

AUTHORIZED BY: _____

*SPECIAL INSTRUCTIONS: _____

This order is on hold pending paper proof approval. Please return this proof ASAP to avoid delays * Please sign and check all appropriate boxes



PLEASE NOTE: There is a seam across the middle of the item that may interfere with the imprint.

Imprint shown @ 100%
Dotted line to show imprint area

Enlargement (200% of the actual size)

Note
from
the factory

Please read this proof thoroughly and check for any spelling errors. We will not be responsible for any errors that are approved on the proof. This proof does not represent exact product or imprint colors. To see exact colors you will need to order a pre production proof. Please contact your Customer Service rep if you would like to order a PPP. Thank you for your order and we look forward to serving you again. To print this page at 100% do not use the fit to page option when printing, it will cause the page to print slightly scaled down